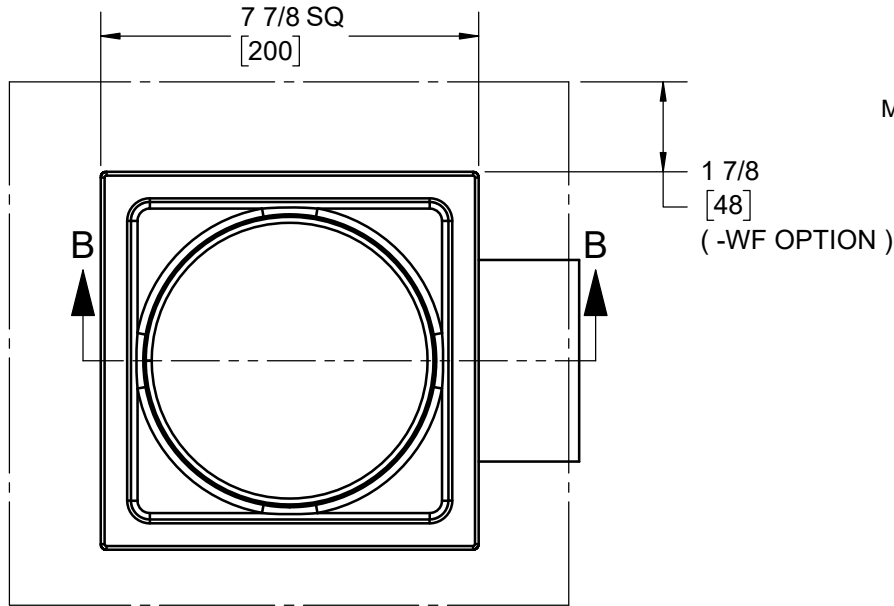


**SPECIFICATION:**

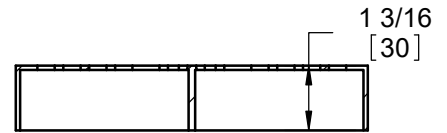
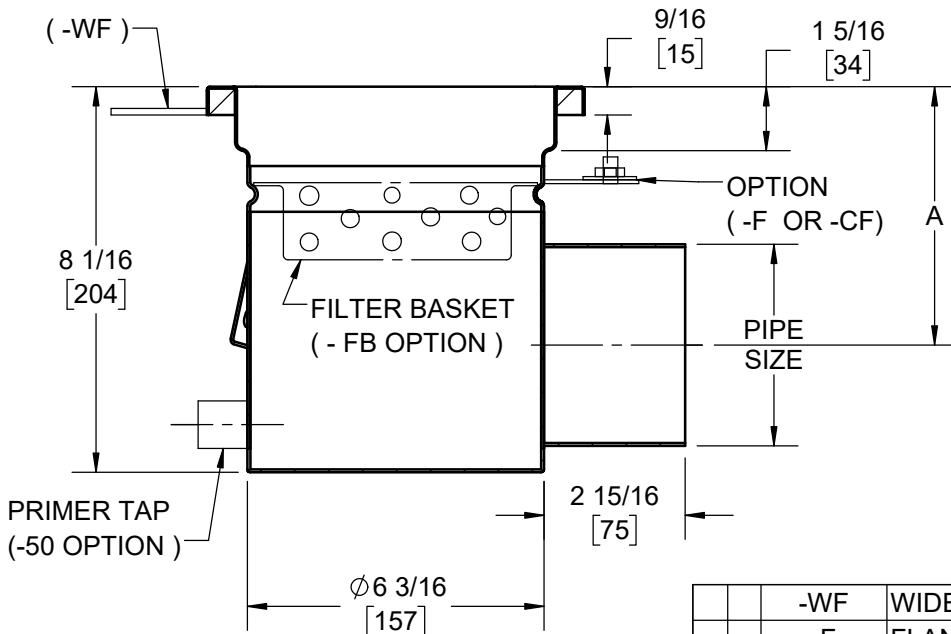
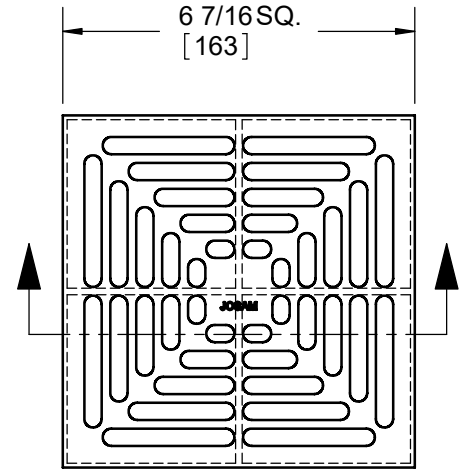
JOSAM SERIES 41440 FABRICATED STAINLESS STEEL (TYPE 304), 8" SQUARE TOP, 8" DEEP, WITH NO-HUB SIDE OUTLET, ANCHOR TABS AND PERFORATED SS GRATE (STANDARD).

**SS DRAIN**  
8" SQUARE TOP, 8" DEEP  
SIDE OUTLET

SERIES **41440-SO**



**STANDARD GRATE**  
FREE AREA = 18.1 IN<sup>2</sup>  
MEETS ADA AND HEEL-PROOF REQMNTS.



MODEL	PIPE SIZE	A
41442-SO	2"	6.4 [162]
41443-SO	3"	5.8 [148]
41444-SO	4"	5.3 [135]

**OPTIONS:**

-FB	FILTER BASKET
-SB	SEDIMENT BUCKET
-VP	SECURED GRATE
-SO	SIDE OUTLET
-50	1/2" PRIMER TAP
-T	THREADED OUTLET
-BW	BUTT-WELD OUTLET (SPEC. 10, 40, 80)
-PFO	PUSH-FIT OUTLET

-WF	WIDE FLANGE
-F	FLANGE (2" DOWN)
-CF	FLANGE AND CLAMP
-WH	WEEPHOLES (1 PER SIDE, Ø 1/8")
-NB	NICKEL BRONZE RIM & GRATE (*ADD 0.6")
-NG	NO GRATE
-HG	PERF. HALF GRATE
-3Q	PERF. 3/4 GRATE
-MG	MESH, ANTI-SLIP GRATE
-LG	LADDER GRATE
-SG	PERIMETER SLOT GRATE
-316	TYPE 316L MATERIAL

WARNING: Cancer and Reproductive Harm - www.P65Warnings.ca.gov

DATE OF LAST CHANGE: 07/28/21

DIMENSIONS ARE SUBJECT TO MANUFACTURERS TOLERANCES AND CHANGE WITHOUT NOTICE. WE CAN ASSUME NO RESPONSIBILITY FOR USE OF SUPERSEDED OR VOID DATA.

**JOSAM**

MICHIGAN CITY, INDIANA

NOTES