

SPECIFICATION:

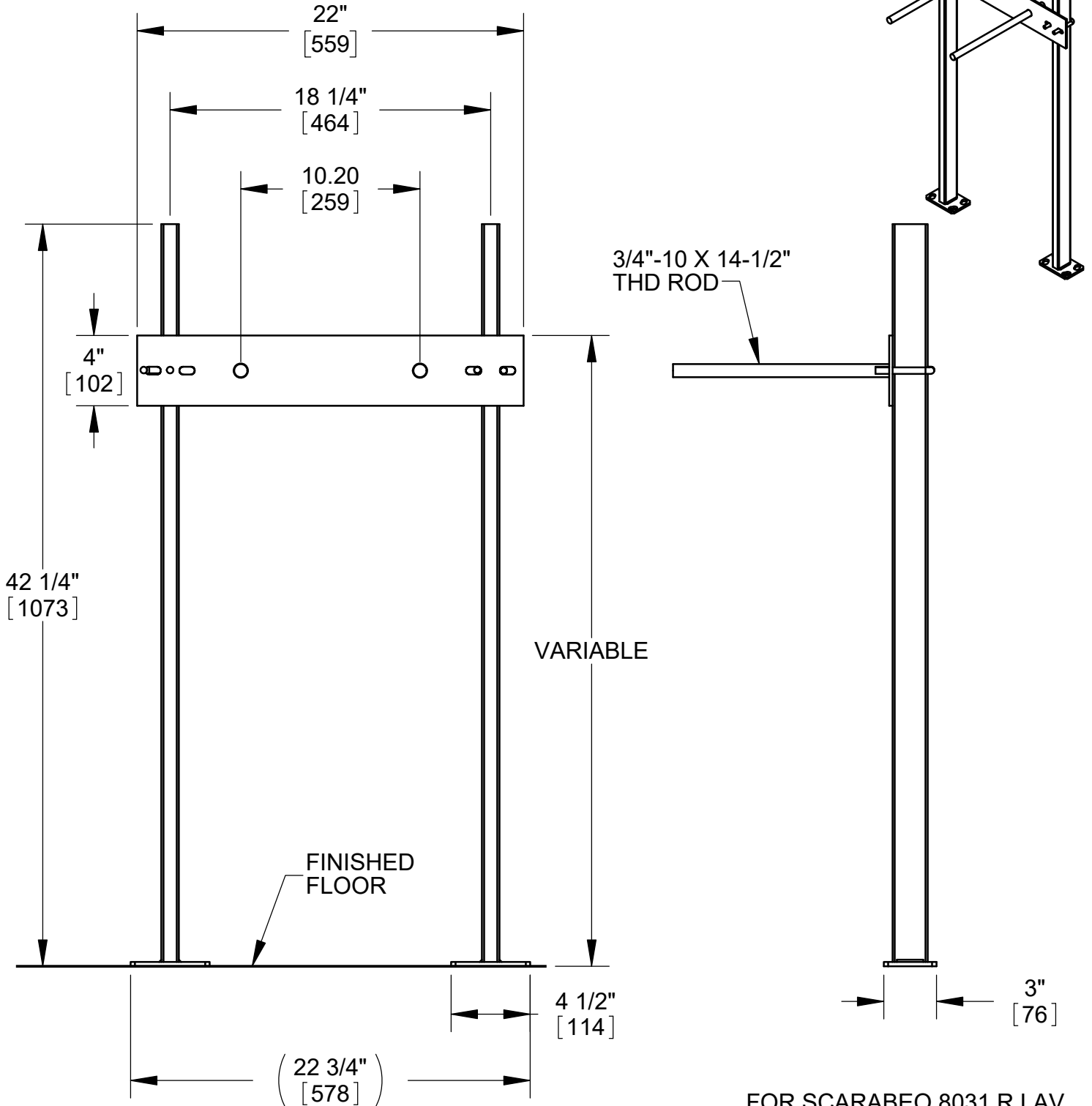
JOSAM SERIES 17550 FLOOR-MOUNTED, SINGLE LAVATORY CARRIER CARRIER WITH HANGER PLATE, ADJUSTABLE SUPPORTING RODS, STRUCTURAL UPRIGHTS AND WELDED FEET.

LAVATORY CARRIER

FLOOR-MOUNT
HANGER PLATE

SERIES **17550-M1713**

RECOMMEND FEET BE SUCURED TO FLOOR WITH 1/2" BOLTS AND ANCHORS BY OTHERS



WARNING: Cancer and Reproductive Harm - www.P65Warnings.ca.gov

DATE OF LAST CHANGE: 06/05/18

DIMENSIONS ARE SUBJECT TO MANUFACTURERS TOLERANCES AND CHANGE WITHOUT NOTICE. WE CAN ASSUME NO RESPONSIBILITY FOR USE OF SUPERSEDED OR VOID DATA.

JOSAM

MICHIGAN CITY, INDIANA

NOTES

FOR SCARABEO 8031 R LAV