

# JOSAM 14000 SERIES INSTALLATION INSTRUCTIONS

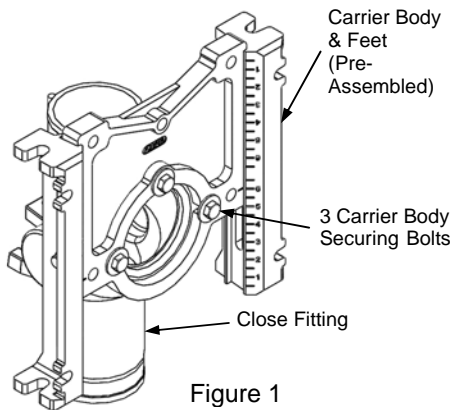


Figure 1

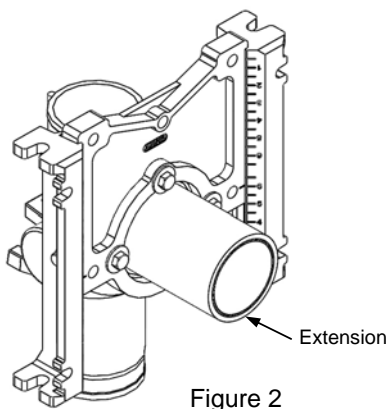


Figure 2

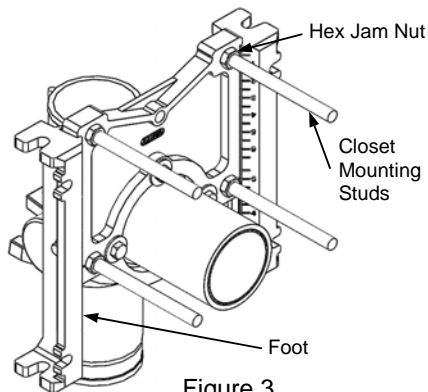


Figure 3

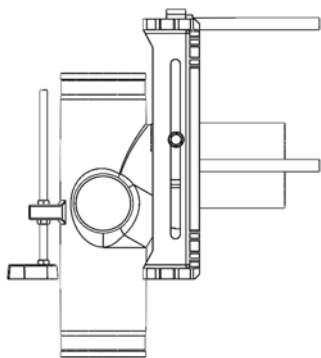


Figure 4

## SIPHON JET INSTALLATION

1. Locate and install fitting in waste line at required roughing. Place pre-assembled carrier, with trademark out, over fitting inlet and secure in place with three 3/8" X 1" hex head bolts. Adjust feet as required. See Figure 1.
2. Screw extension into fitting and tighten. After testing system, mark extension, remove and cut square to proper length (depth of closet horn minus 3/8" beyond finished wall line). Replace cut extension and tighten. See Figure 2.
3. Using roughing Hardware Group DP, assemble closet mounting studs to carrier, adjust to 5/8" plus closet flange thickness beyond finished wall line and lock in place with hex jam nut. See figure 3.
4. Assemble anchor foot support. Anchor all feet to floor (recommend 1/2" bolts). See Figure 4.
5. Complete construction around carrier (utilize thread protectors).
6. To set closet using finished Hardware Group FH, put a hex nut, back-up washer and a bowl stabilizer on each mounting stud. See Figure 5. Adjust with front of back-up washer at finished wall line.
7. Place fixture gasket around fixture outlet and hang closet. Assemble fiber washers and Josam caps to the two studs on the center line of the closet outlet and one other stud and wrench-tighten. Assemble fiber washer and Josam cap to remaining top stud, hand-tighten and take 1/2 turn with the wrench. See Figure 5.

## BLOWOUT INSTALLATION

Turn faceplate upside-down. Follow same procedure as for siphon jet except in step 2 only 2 bolts are used and in step 7 all three caps are wrench-tightened.

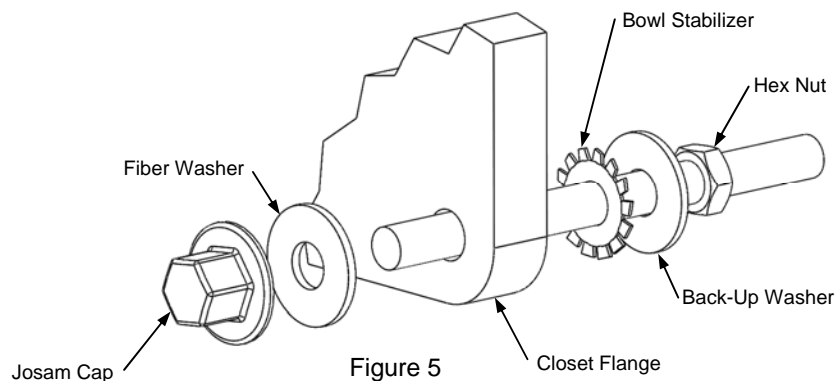


Figure 5